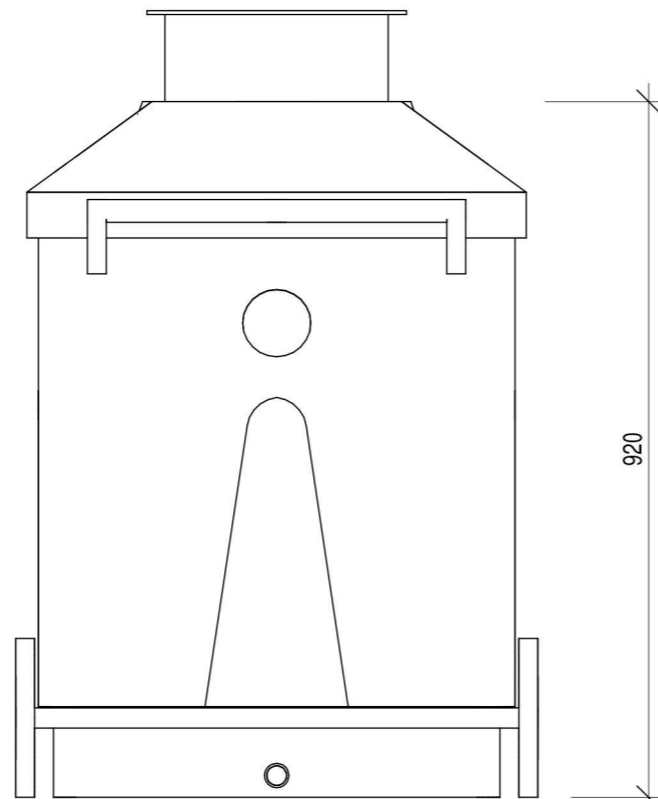
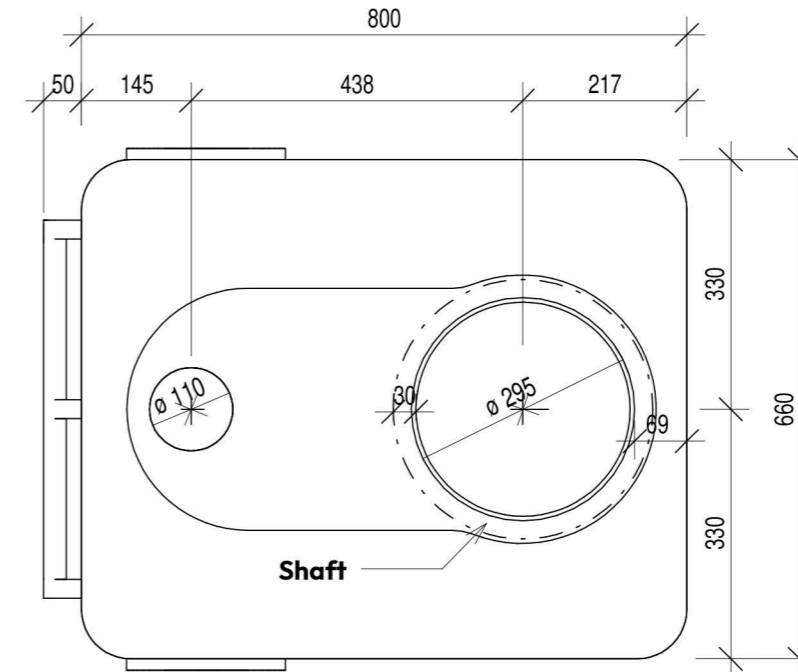


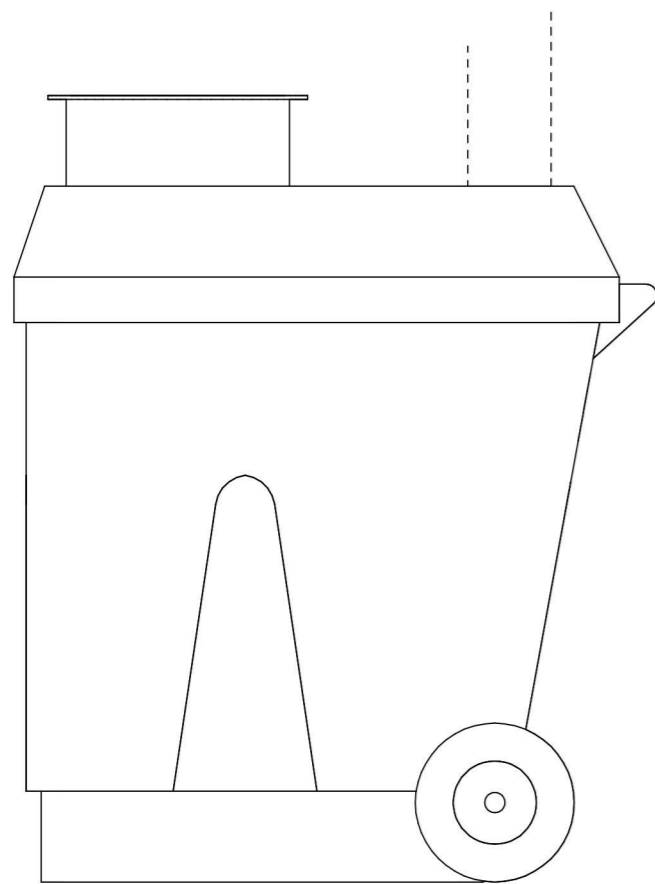
Front



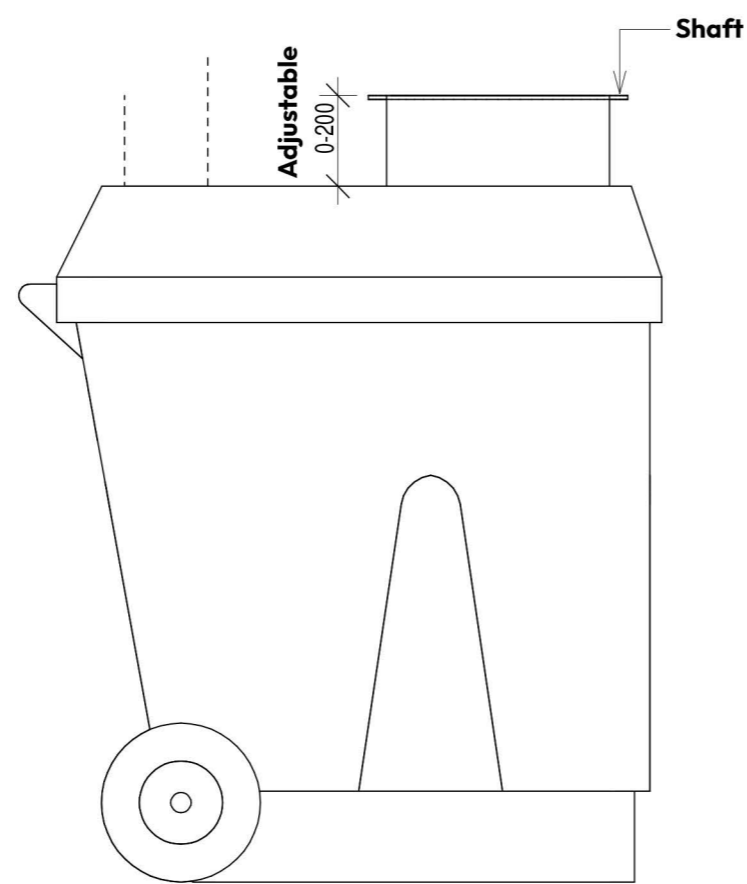
Back



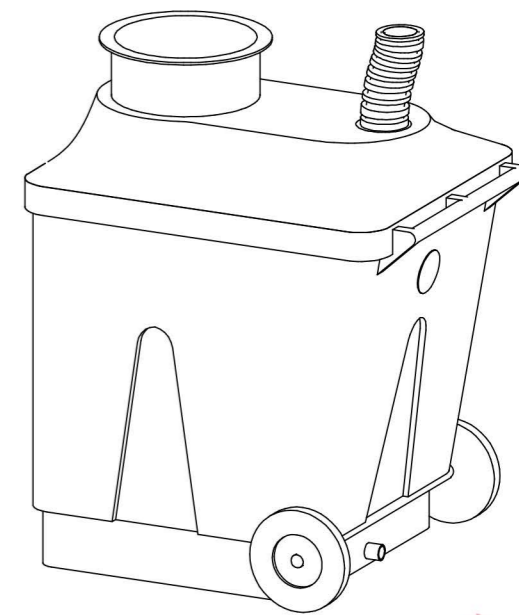
Top



Side 1



Side 2



All measurements in millimeters

Waterless Toilet Shop

GREEN TOILET 330

1:10 (A3)

waterlesstoilets.com 2021-01-04

GT330